



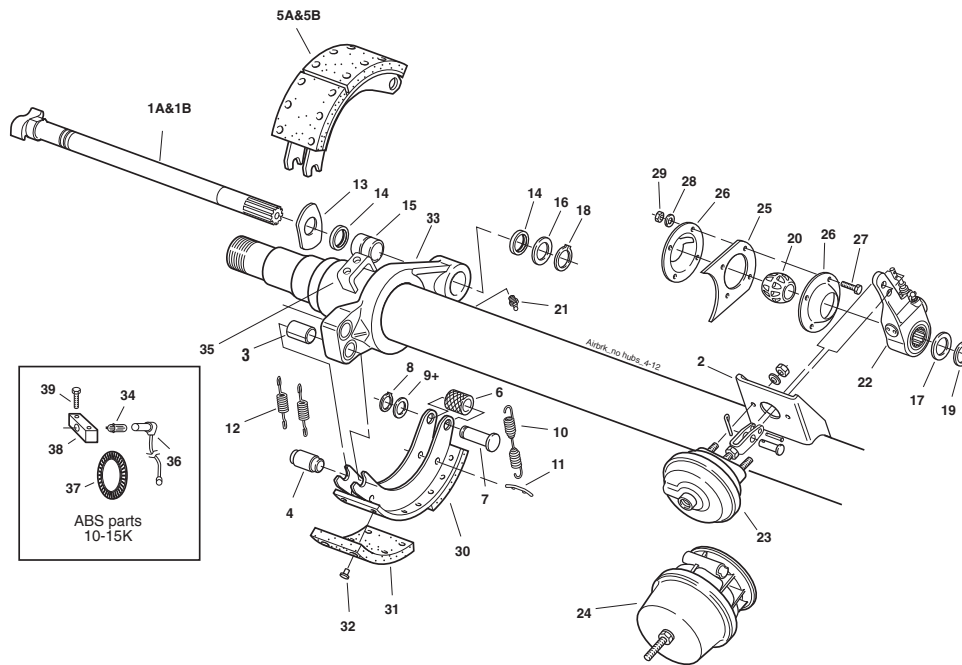
# PRODUCT BULLETIN #527

## D160 AIR BRAKE

April 22, 2026

Dexter is pleased to announce that air brakes are now available for the Dex-Treme D160 axle, expanding braking options for customers who require enhanced performance and compatibility across heavy-duty applications. This new offering utilizes the proven 12-1/4" x 5" air brake currently used on Dexter's D120 and D150 axle models and is available on new D160 axle orders with slipper, DexAir, or HDSS suspension systems.

### BRAKE SHOWN BELOW DEMONSTRATES THE SERVICE REPLACEMENT PARTS FOR THIS PRODUCT:



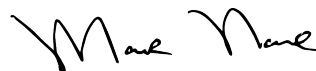
ITEM	DESCRIPTION	QTY PER BRAKE	12-1/4 X 5 12K, 15K PART NUMBER	12-1/4 X 5 16K PART NUMBER
1A	CAMSHAFT LH*	1	034-188-XX	034-188-XX
1B	CAMSHAFT RH*	1	034-189-XX	034-189-XX
2	AIR CHAMBER BRACKET	1	034-048-00	034-048-00
5	SHOE & LINING ASSEMBLY	2	040-322-01	040-322-01
5A	SHOE & ROLLER ASSEMBLY RH	1	040-322-03	040-322-03
5B	SHOE & ROLLER ASSEMBLY LH	1	040-322-02	040-322-02
<b>CAMSHAFT REPAIR KIT CONTAINS:</b>		<b>1</b>	<b>K71-101-00</b>	<b>K71-101-00</b>
13	D WASHER, CAMSHAFT	1	005-074-00	005-074-00
14	GREASE SEAL	2	010-052-00	010-052-00
15	CAMSHAFT BUSHING	1	014-056-00	014-056-00
16	WASHER-CAMSHAFT SPIDER END	1	005-075-00	005-075-00
17	CAMSHAFT WASHER-28 SPLINE	1	005-134-00	005-134-00
18	CAMSHAFT RETAINER	1	069-020-00	069-020-00
19	CAMSHAFT END RETAINER	1	069-078-00	069-078-00
20	CAMSHAFT SUPPORT BUSHING	1	014-058-00	014-058-00
21	GREASE FITTING	1	061-006-00	061-006-00
ns	INSTRUCTION SHEET	1	059-663-00	059-663-00

**CONTINUED:**

CAMSHAFT REPAIR KIT CONTAINS:		1	K71-101-00	K71-101-00
22	AUTOMATIC SLACK ADJUSTER-28 SPLINE	1	055-040-99	055-040-99
22	MANUAL SLACK ADJUSTER - 28 SPLINE	1	055-039-00	055-039-00
23	AIR CHAMBER W/HARDWARE	1	034-059-00	034-059-00
24	AIR CHAMBER W/SPRING BRAKE	1	034-060-00	034-060-00
25	PLATE - CAMSHAFT SUPPORT BRACKET	1	034-031-00	034-031-00
26	PLATE, BUSHING RETAINER	2	034-032-00	034-032-00
27	BOLT, RETAINER PLATE	4	007-139-00	007-139-00
28	LOCK WASHER	4	005-079-00	005-079-00
29	NUT	4	006-099-00	006-099-00
33	BRAKE SPIDER	1	036-113-02	036-113-02

ITEM	DESCRIPTION	QTY PER BRAKE	12-1/4 X 5 12K, 15K PART NUMBER	12-1/4X 5 16K PART NUMBER
<b>BRAKE SHOE REPAIR KIT CONTAINS:</b>		<b>1</b>	<b>K71-460-00</b>	<b>K71-460-00</b>
3	BUSHING-SPIDER ANCHOR PIN	2	014-068-00	014-068-00
4	ANCHOR PIN	2	056-017-00	056-017-00
6	ROLLER	1	014-057-00	014-057-00
7	ROLLER PIN	2	056-010-00	056-010-00
8	ROLLER PIN RETAINER	2	069-018-00	069-018-00
9	ROLLER PIN SPACER	2	005-076-00	NOT USED
10	RETRACTOR SPRING	1	046-092-00	046-092-00
11	RETAINER PIN	2	056-018-00	056-018-00
12	SHOE KEEPER SPRING	2	046-097-00	046-097-00
ns	INSTRUCTION SHEET	1	059-553-00	059-553-00
<b>BRAKE BLOCK KIT CONTAINS:</b>		<b>1</b>	<b>K71-102-00</b>	<b>K71-102-00</b>
31	BRAKE BLOCK ANCHOR	2	041-053-01	041-053-01
30	BRAKE BLOCK CAM	2	041-053-02	041-053-02
32	RIVET	24	022-048-00	022-048-00
<b>ABS COMPONENTS:</b>				
34	ABS SENSOR RETAINING CLIP	1	097-002-00	097-002-00
35	ABS LOWER SENSOR MOUNTING BLOCK	1	024-101-00	024-101-00
36	ABS SENSOR 90°	1	097-003-00	097-003-00
37	ABS TONE RING IN DRUM	1	024-203-00	024-203-00
38	ABS UPPER SENSOR MOUNTING BLOCK	1	024-101-01	024-101-01
39	MOUNTING SCREW UPPER BLOCK	2	007-237-00	007-237-00

Please contact your Dexter account manager for additional information and further assistance.



Mark Nave  
Product Manager